

Spark Chamber



Welcome to the Center
for High Energy
Physics.

This experiment is
designed to detect
cosmic muons using an
acoustic method.

S

@

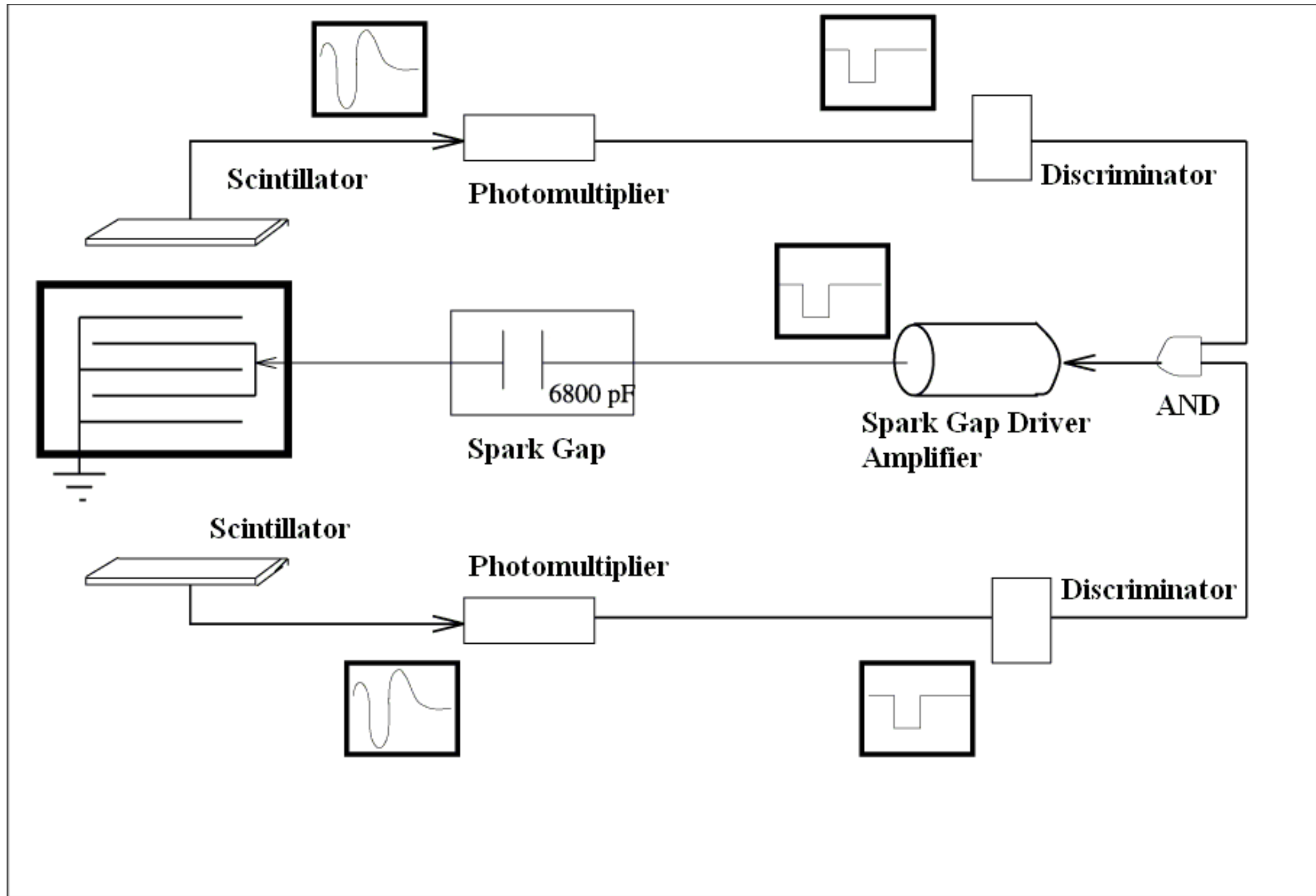
t

t

i

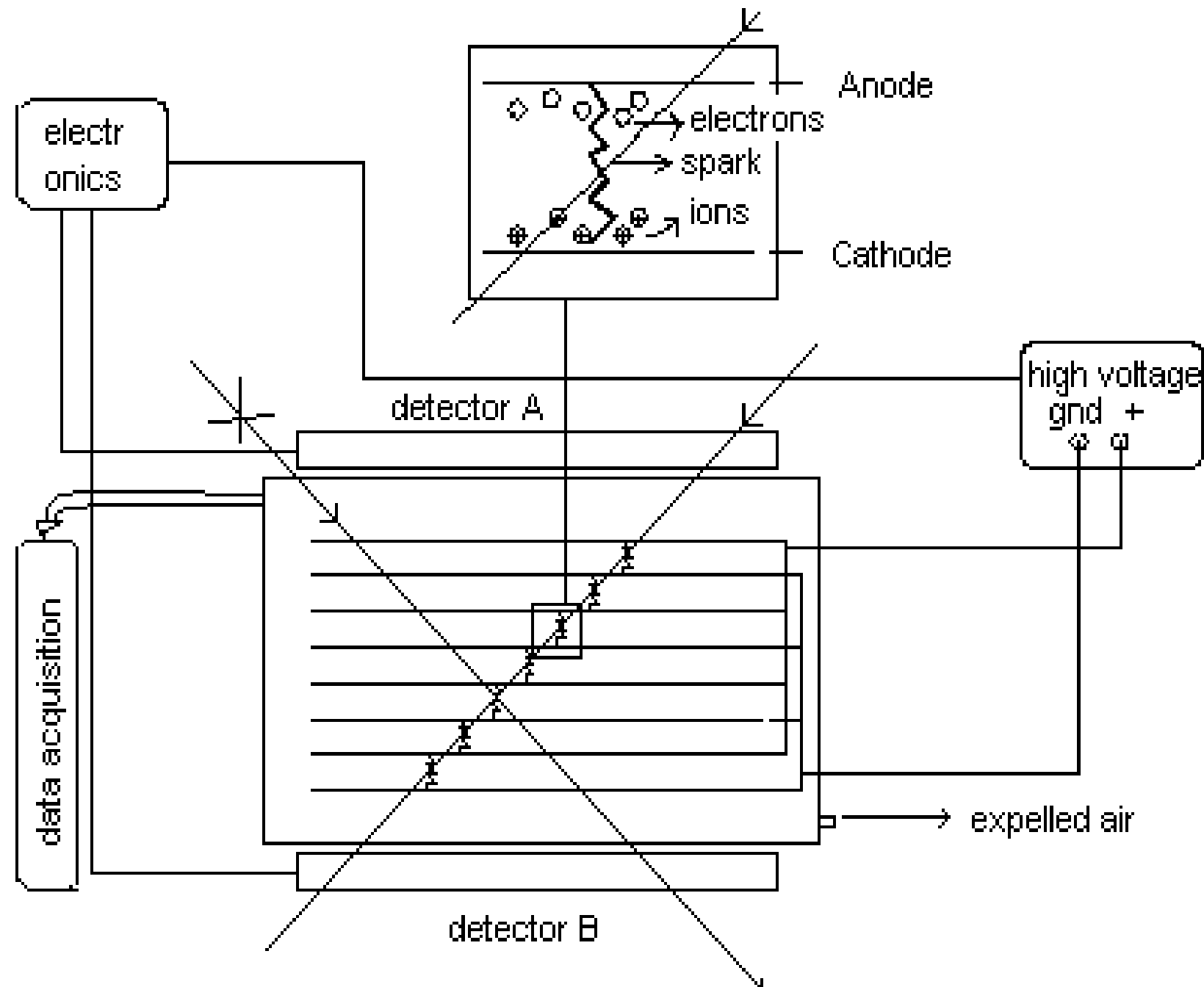
n

9



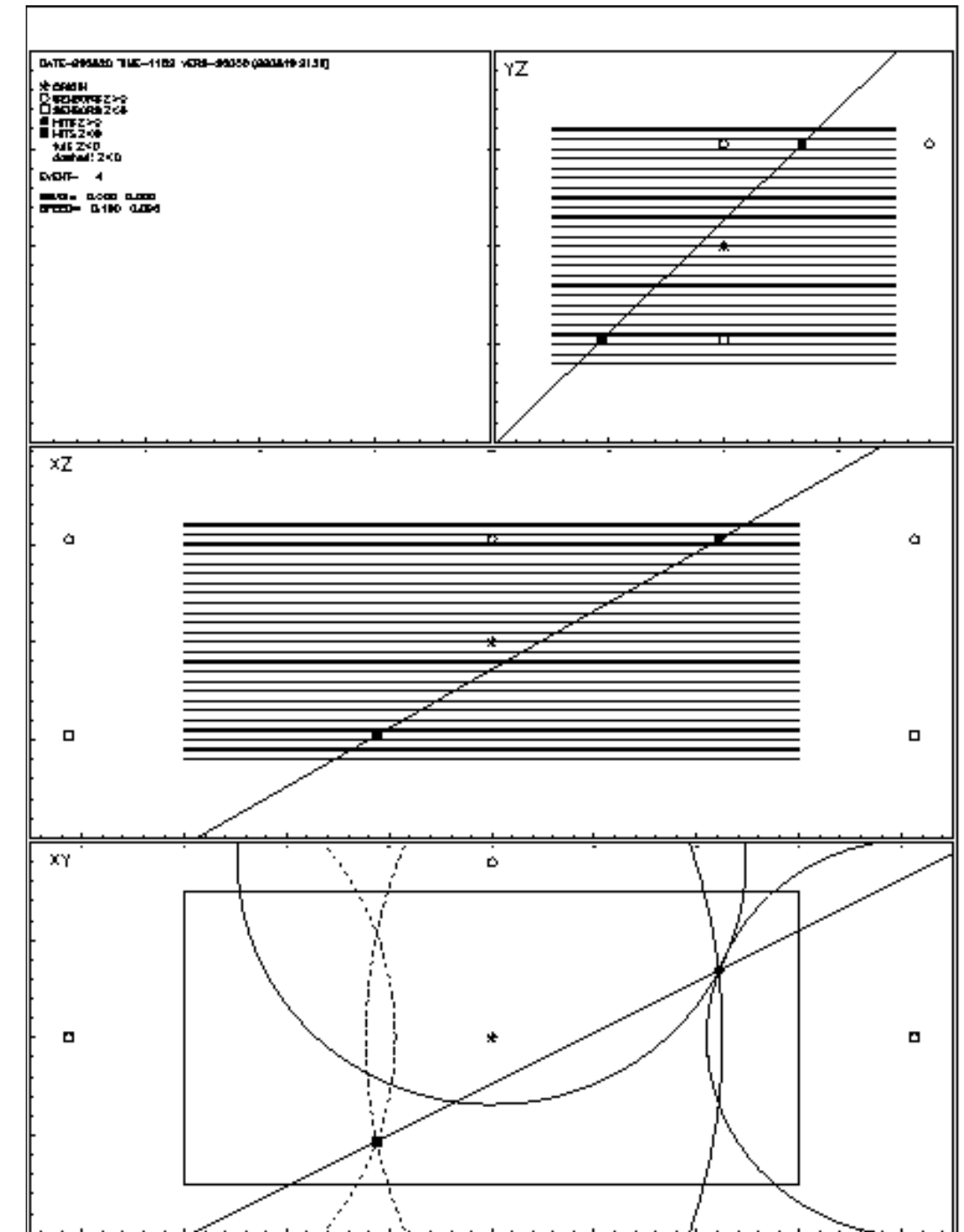
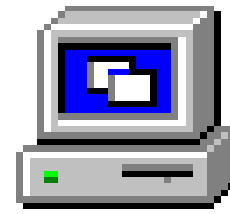
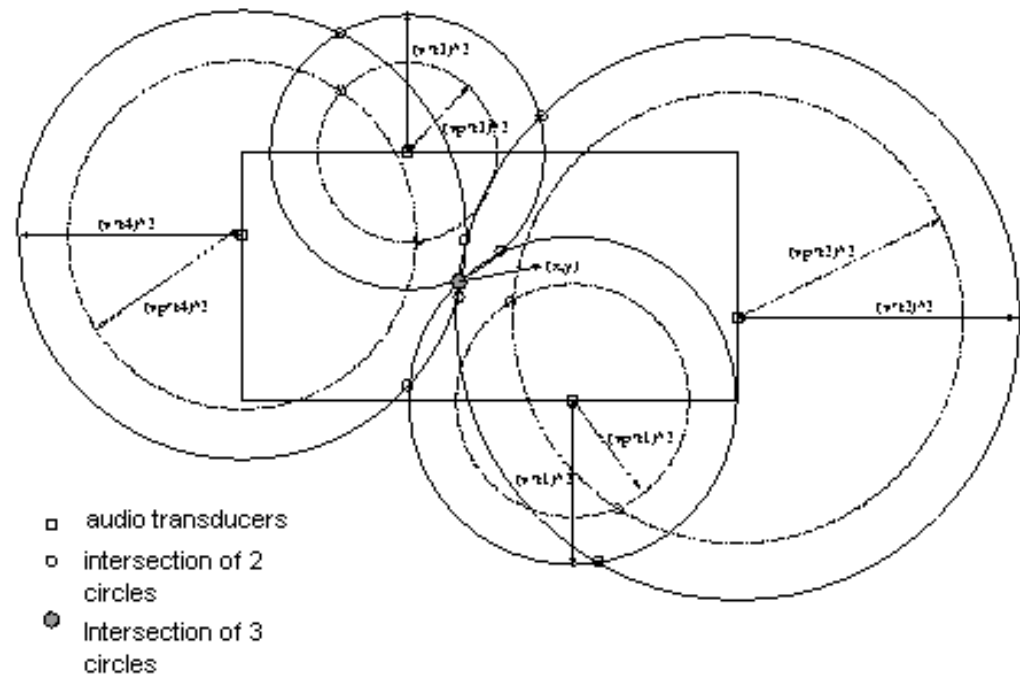
We use the coincidence between two scintillators to trigger the high voltage between the plates.

A particle travels through the chamber and ionizes the helium gas atoms. When high voltage is applied, a series of sparks appear along the trajectory.



P
r
i
n
c
i
p
l
e

How to reconstruct trajectories



The acoustic sensors detect the signal arrival times, hence the distances, but not the directions. The spark position is obtained through triangulation between the sensor informations.